

**SM/04**  
Adaptor mounting stud



**DJB Part Number:** SM/04

**Description:** The SM/04 is a non-isolated adaptor mounting stud with 10/32UNF thread for use with the IM/02 mounting magnet and IA/01 isolated adhesive mounting base.

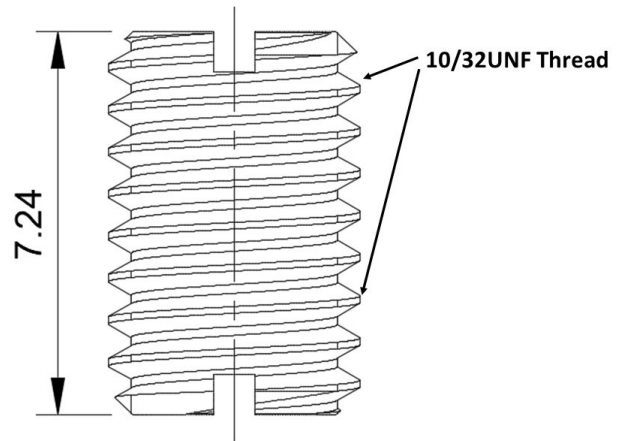
Manufactured by DJB in the UK.

**Temperature Range:** -70°C to +200°C

**Material List:**

**Body:** Stainless Steel 303S31

**Dimensions (mm)**



**Please note:** The facts and figures contained herein are carefully compiled to the best of our knowledge intended for general information purposes only, specifications are subject to change without prior notification.