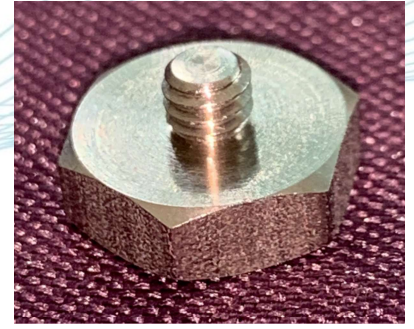


SF/04

Non-Isolated Adhesive Mounting Stud 5-40UNC integral stud



DJB Part Number: SF/04

Description: The SF/04 is an adhesive mount for use with a variety of accelerometers. It is a non-isolated type.

The SF/04 has an integral 5-40UNC stud

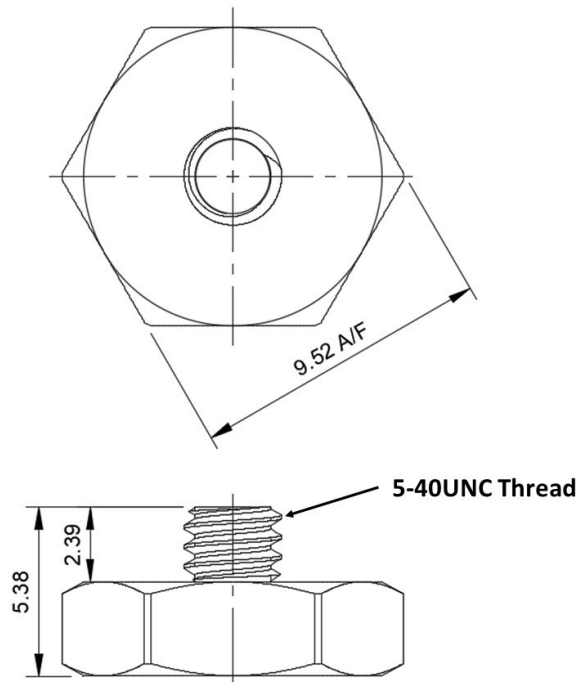
Manufactured by DJB in the UK.

Temperature Range: -70°C to +200°C

Material List:

Body: Stainless Steel 303S31

Dimensions (mm)



Please note: The facts and figures contained herein are carefully compiled to the best of our knowledge intended for general information purposes only, specifications are subject to change without prior notification.

DJB Instruments (UK) Ltd

Finchley Avenue,
Mildenhall, Suffolk IP28 7BG

Tel +44 (0)1638 712 288
Email sales@djbinstruments.com
Web www.djbinstruments.com

DJB: Iss 1.2020

A UK company with UK-based manufacturing, assembly and calibration in-house.



ISO 9001 – 00025363