



**MJ-I**  
**Inline joiner with isolating bush**  
 10/32UNF microdot socket / 10/32UNF microdot socket

**DJB Part Number:** MJ-I

**Description:** The MJ-I joiner with isolating bush is ideal for installing the MJ inline joiner into a junction box or other installation where the joiner must be electrically isolated from the case.

Manufactured by DJB in the UK.

**Coupling Method:** screw

**Temperature Range:** -70°C to +200°C

**Material List:**

**Body:** Brass – Nickel plated

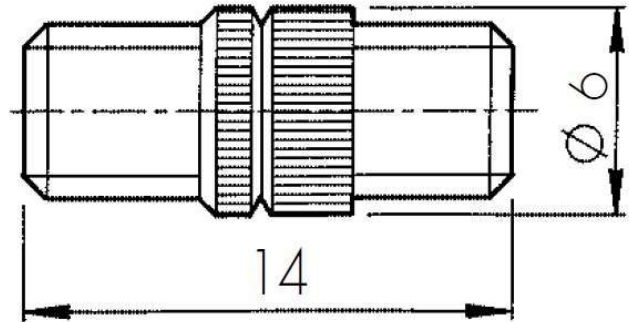
**Contact Pin:** Brass – Gold plated

**Insulator:** Peek

**Isolating Bush:** PTFE

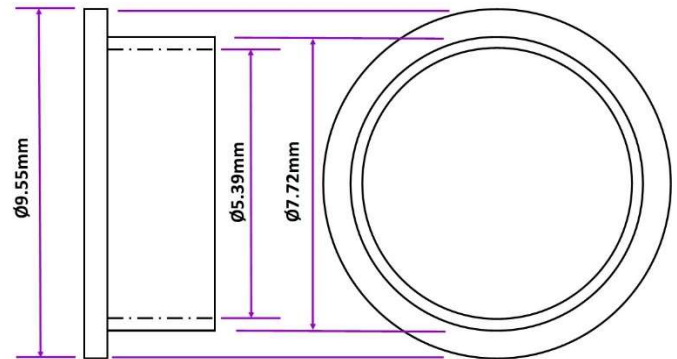
The M-I Joiner is ROHS compliant

**Dimensions (mm)**



**Isolating Bush**

**Dimensions (mm)**



**Please note:** The facts and figures contained herein are carefully compiled to the best of our knowledge intended for general information purposes only, specifications are subject to change without prior notification.

**DJB Instruments (UK) Ltd**

Finchley Avenue,  
Mildenhall, Suffolk IP28 7BG

**Tel** +44 (0)1638 712 288  
**Email** sales@djbstruments.com  
**Web** www.djbstruments.com

DJB: Iss 1.2020

A UK company with UK-based manufacturing, assembly and calibration in-house.



ISO 9001 – 00025363