

L8

Connector for A/28 accelerometer
For cables of nom. 0.8mm diameter

DJB Part Number: L8

Description: Unique connector manufactured by DJB for use with the A/28 accelerometer, for use on cables of nom. 0.8mm diameter

Coupling Method: screw

Temperature Range: -55°C to +168°C

Material List:

Body: Stainless Steel 303S31

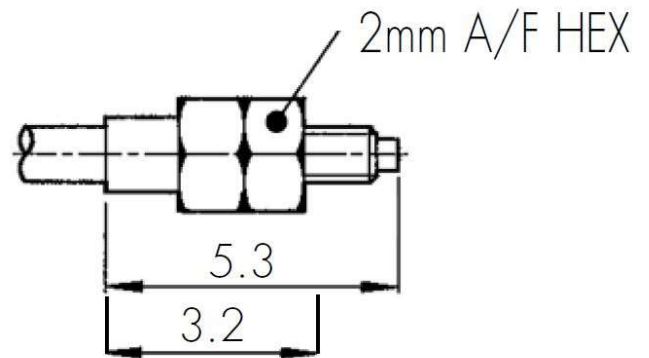
Insulator: Anodised aluminium

Strain relief - included

Compatible DJB cables:

T08

Dimensions



Please note: The facts and figures contained herein are carefully compiled to the best of our knowledge intended for general information purposes only, specifications are subject to change without prior notification.

DJB Instruments (UK) Ltd

Finchley Avenue,
Mildenhall, Suffolk IP28 7BG

Tel +44 (0)1638 712 288
Email sales@djbstruments.com
Web www.djbstruments.com

DJB: Iss 1.2020

A UK company with UK-based manufacturing, assembly and calibration in-house.



ISO 9001 – 00025363