

## IM/01

### Isolated Mounting Magnet Integral 10/32UNF stud



**DJB Part Number:** IM/01

**Description:** The IM/01 is an isolating mounting magnet with an integral 10/32UNF stud, this is ideal for use with a wide range of DJB and other manufacturer accelerometer that have a 10/32UNF tapped base.

Manufactured by DJB in the UK.

**Temperature Range:** -70°C to +200°C

**Material List:**

**Body:** Mild steel plated

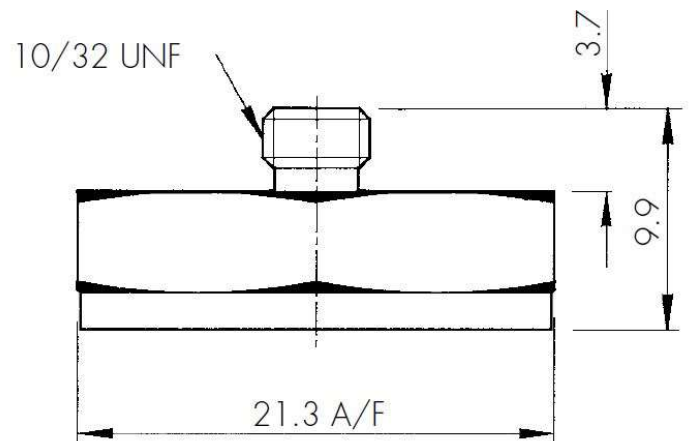
**Insulator :** PTFE

**Magnet :** Nickel plated Neodymium Iron Boron

**Pull Force :** 5kg nom.

**Mounting Torque :** 1.2Nm

#### Dimensions (mm)



**Please note:** The facts and figures contained herein are carefully compiled to the best of our knowledge intended for general information purposes only, specifications are subject to change without prior notification.

**DJB Instruments (UK) Ltd**

Finchley Avenue,  
Mildenhall, Suffolk IP28 7BG

**Tel** +44 (0)1638 712 288  
**Email** sales@djbstruments.com  
**Web** www.djbstruments.com

DJB: Iss 1.2020

A UK company with UK-based manufacturing, assembly and calibration in-house.



ISO 9001 – 00025363