



BJ
Inline joiner
10/32UNF microdot socket / BNC Plug

DJB Part Number: BJ

Description: The BJ joiner is an inline joiner, it is ideal for converting a 10/32UNF Microdot plug to a BNC plug for fitting onto a DAQ or other measuring equipment.

Manufactured by DJB in the UK.

Coupling Method: screw

Temperature Range: -65°C to +165°C

Material List:

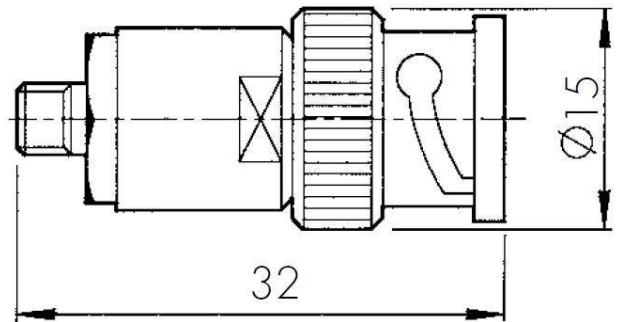
Body: Brass – Nickel plated

Contact Pin: Brass – Gold plated

Insulator: Peek

The BJ Joiner is ROHS compliant

Dimensions (mm)



Please note: The facts and figures contained herein are carefully compiled to the best of our knowledge intended for general information purposes only, specifications are subject to change without prior notification.

DJB Instruments (UK) Ltd

Finchley Avenue,
Mildenhall, Suffolk IP28 7BG

Tel +44 (0)1638 712 288
Email sales@djbstruments.com
Web www.djbstruments.com

DJB: Iss 1.2020

A UK company with UK-based manufacturing, assembly and calibration in-house.



ISO 9001 – 00025363