



BC1

BNC Plug – For cables up to 2mm diameter

DJB Part Number: BC1

Description: BNC Plug, supplied complete with rubber boot, for use on cables up to 2mm diameter

Coupling Method: Bayonet

Temperature Range: -65°C to +165°C

Impedance: 50Ω

Insulation Resistance: 5000MΩ

Material List:

Body: Brass – nickel plated

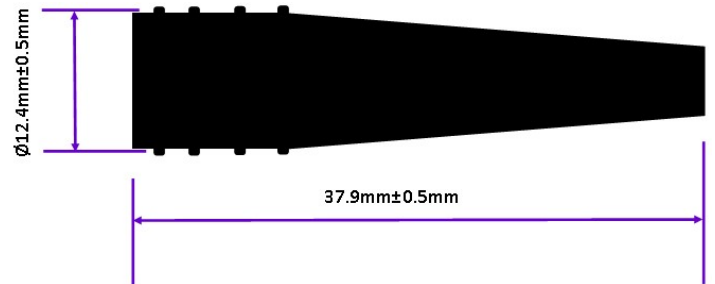
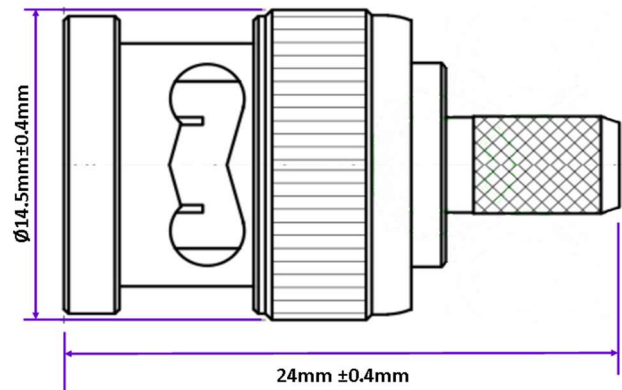
Contact Pin: Brass – gold plated

Insulator: Delrin

The BC1 connector is ROHS compliant

Moulded Strain relief boot

Dimensions



Please note: The facts and figures contained herein are carefully compiled to the best of our knowledge intended for general information purposes only, specifications are subject to change without prior notification.

DJB Instruments (UK) Ltd

Finchley Avenue,
Mildenhall, Suffolk IP28 7BG

Tel +44 (0)1638 712 288
Email sales@djbstruments.com
Web www.djbstruments.com

DJB: Iss 1.2020

A UK company with UK-based manufacturing, assembly and calibration in-house.



ISO 9001 – 00025363