

BBB
Bulkhead joiner
Insulated - BNC Jack / BNC Jack



DJB Part Number: BBB

Description: The BBB joiner is a bulkhead joiner, it is ideal for connecting cables either side of a bulkhead. The BBB offers isolation from the bulkhead with a BNC jack on both sides.

Coupling Method: bayonet / bayonet

Temperature Range: -55°C to +155°C

Material List:

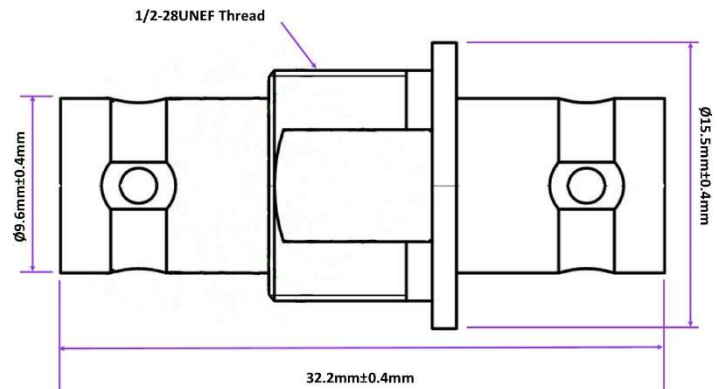
Body: Brass – Nickel plated

Contact Pin: Brass – Gold plated

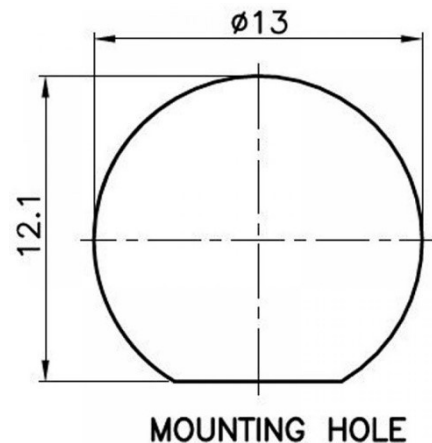
Insulator: Peek

50Ω connector, supplied with mounting nut.

Dimensions (mm)



Mounting hole cut out



Please note: The facts and figures contained herein are carefully compiled to the best of our knowledge intended for general information purposes only, specifications are subject to change without prior notification.

DJB Instruments (UK) Ltd

Finchley Avenue,
Mildenhall, Suffolk IP28 7BG

Tel +44 (0)1638 712 288
Email sales@djbstruments.com
Web www.djbstruments.com

DJB: Iss 1.2020

A UK company with UK-based manufacturing, assembly and calibration in-house.



ISO 9001 – 00025363