

4S-1
¼-28UNF 4 pin socket
For cables of nom. 2.5mm diameter

DJB Part Number: 4S-1

Description: ¼-28UNF 4 pin socket for use with single connector triaxial accelerometers. Manufactured by DJB these connectors provide a high quality and rugged connection solution.

Coupling Method: screw

Temperature Range: -70°C to +260°C

Material List:

Body: Brass – nickel plated

Contact Pin: Brass – gold plated

Insulator: Peek

The 4S-1 connector is ROHS compliant

Strain relief - included

Compatible DJB cables:

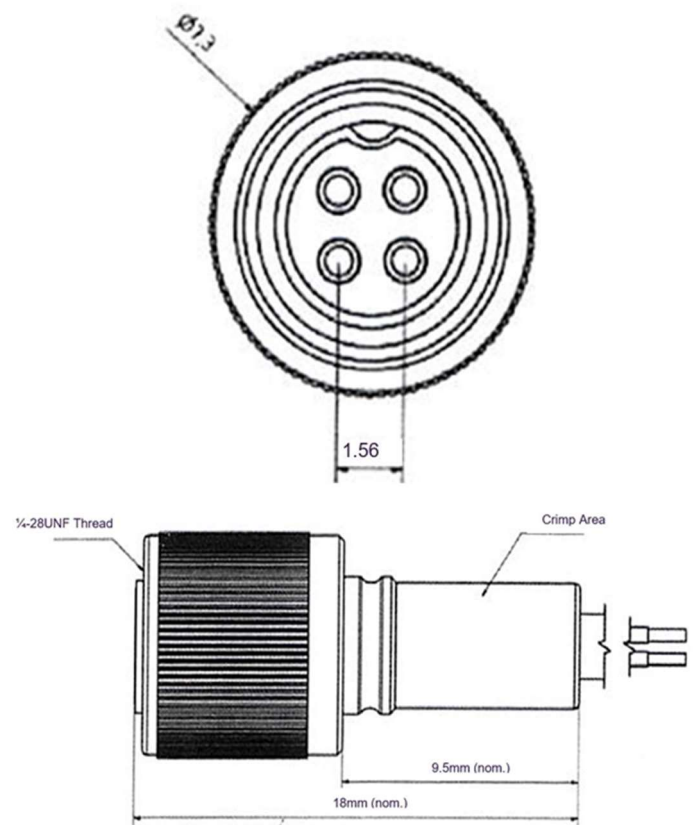
ET25

ET25-LN

LT17

SM35

Dimensions (mm)



Please note: The facts and figures contained herein are carefully compiled to the best of our knowledge intended for general information purposes only, specifications are subject to change without prior notification.

DJB Instruments (UK) Ltd

Finchley Avenue,
Mildenhall, Suffolk IP28 7BG

Tel +44 (0)1638 712 288
Email sales@djbstruments.com
Web www.djbstruments.com

DJB: Iss 1.2020

A UK company with UK-based manufacturing, assembly and calibration in-house.



ISO 9001 – 00025363