

A/301/F Industrial Piezoelectric Accelerometer

220pC/g nom. 260°C max (F) 150gm

High output industrial grade vibration transducers for use in extreme and harsh environments.

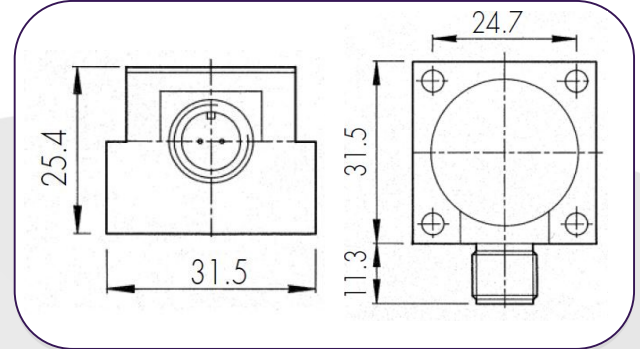
This type of robust industrial high output industrial sensor offers long life, high temperature range and the ability to measure small changes in vibration levels.

The A/301/F is a fully welded construction with welded electrical connections internally to ensure long life performance. Based on the DJB unique KONIC shear® design of ceramic sensing element the A/301/F is a charge output accelerometer and as such is subject to data degradation if contaminants enter the transducer and/or connector. In addition it is essential a high quality low noise cable is used to minimize the impact of triboelectric noise.

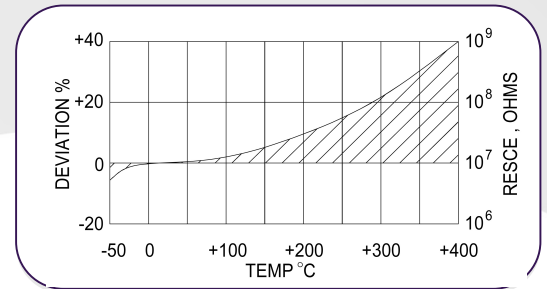
The A/301/F uses a hermetically sealed two pole connector to provide a floating output to reduce common mode noise.

A range of low noise cable solution are available from DJB to accompany the A/301/F.

A/301/F



Temperature Response



Options

A/301/F

- Proof pressure testing to 80bar
- Cable length and terminating connector to be specified at point of order

A/301/F	Metric	Imperial
Charge sensitivity nom.	22.43pC/(m/s ²)	220pC/g
Capacitance pF	1400 /2400	1400/2400
Resonant frequency kHz	≥8	
Typical Frequency Response	1Hz – 3kHz	
±5%	0.7Hz –4kHz	
±10%		
Cross axis error % max	5	
Temperature range	-50 / +260°C	-58 / +572°F
Charge sensitivity deviation	-5% @ -50°C / +15% @ +260°C	-5% @ -58°F / +15% @ +572°F
Pyro-electric output, g/°C	0.2	0.2
Pyro-electric corner freq. (Hz)	0.002	0.002
Base strain sens g/μ strain	≤0.01	≤0.01
Maximum shock	9,807m/s ²	1000g
Case material	Stainless steel 303 S31	Stainless steel 303 S31
Mounting	4 x 3.8mm holes, 35mm	4 x 0.15in holes, 1.38in PCD
Weight	150gm	5.29oz
Case seal	Welded, hermetic	Welded, hermetic
Size	31.5 x 34.3 x 24.7mm	1.24 x 1.35 x 0.97in
Connector	7/16" UNS 2 pole	7/16" UNS 2 pole connector

Please note: For information and reference only. Data should not be used as pass / fail criteria for calibration purposes

DJB Instruments (UK) Ltd

Finchley Avenue,
Mildenhall, Suffolk IP28 7BG

Tel +44 (0)1638 712 288
Email sales@djbinstruments.com
Web www.djbinstruments.com

DJB Iss.4.2020

A UK company with UK-based manufacturing, assembly and calibration in-house.



ISO 9001 – 00025363