

A/24/E-1 Miniature Piezoelectric Accelerometer Integral isolating ceramic base

5pC/g nom.

2gm

200°C Max. temp



The A/24/E-1 is a miniature adhesive mount PE charge output accelerometer, offering a small size and low mass of just 2grams. Using DJB's unique Konic shear® ceramic design offering superior cross axis control and performance. The integral ceramic base provides complete electrical isolation from the surface of the test object.

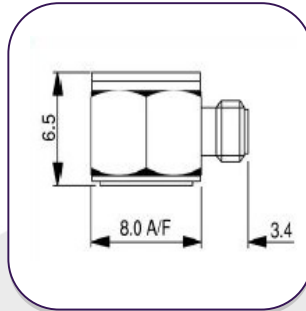
The low mass of the A/24 range minimizes mass loading effects in a wide range of vibration responses and structural testing applications.

Side entry miniature microdot KP connector

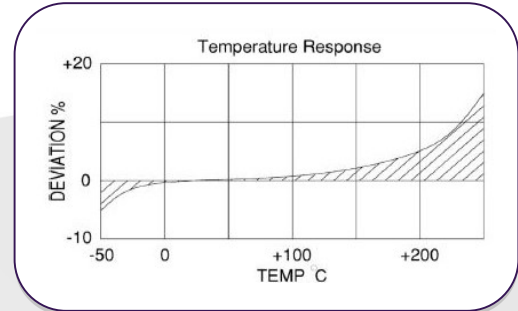
Options:

- A/24/E - Side Entry, -55/+250°C
- A/24/E-1 – isolating base, -55/+200°C
- A/24/TE – Top entry, -55/+250°C
- A/24/TE-1 – Isolating base, -55/+200°C
- A/24/TS – Top entry stud, -55/+250°C

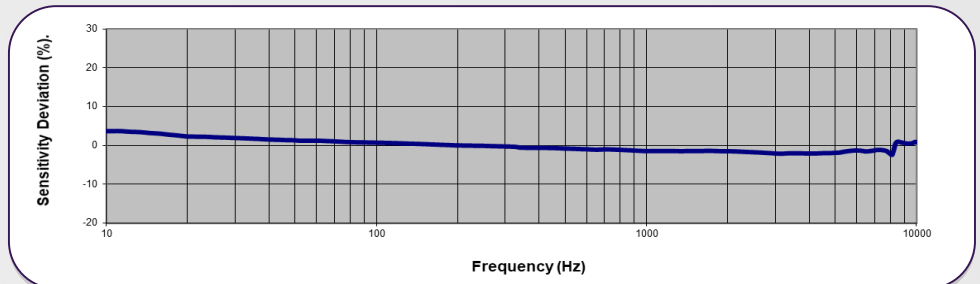
A/24/E-1



Temperature Response



Typical Frequency Response



	Metric	Imperial
Charge sensitivity nom.	0.50pC/(m/s ²)	5pC/g
Resonant Frequency	≥55 kHz	
Typical Frequency Response	±5% 1Hz – 12kHz ±10% 0.7Hz – 13kHz	
Capacitance nom.	750pF	
Cross Axis error	5% max	
Temperature Range	-55/200°C	-67/392°F
Charge sensitivity deviation (20°C/68°F)	-5% @ -50°C +10% @ 200°C	-5% @ -67°F +10% @ 392°F
Base strain sensitivity	0.001g/μ strain	
Maximum shock g level, rise time μs	98100m/s ² , 30	10000g, 30
Pyro-electric output	0.15g/°C	
Pyro-electric corner frequency	0.005Hz	
Case Material	Titanium Grade 2	
Mounting	Adhesive with integral ceramic isolating base	
Weight	2gm	0.07oz
Case Seal	Welded	
Size	8 (A/F) x 9mm	0.31 (A/F) x 0.35in
Connector	M3.5 KP connector (3.5mm)	

Please note: For information and reference only. Data should not be used as pass / fail criteria for calibration purposes.

DJB Instruments (UK) Ltd

Finchley Avenue,
Mildenhall, Suffolk IP28 7BG

A UK company with UK-based manufacturing, assembly and calibration in-house.

Tel +44 (0)1638 712 288
Email sales@djbinstruments.com
Web www.djbinstruments.com

DJB Iss.1.2020



ISO 9001 – 00025363