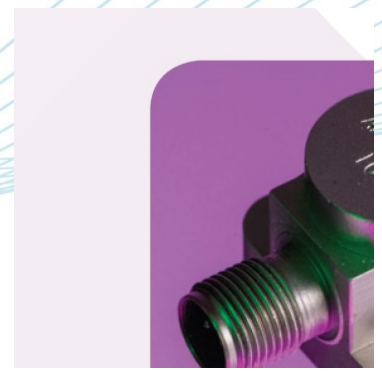


A/107/F/HT Industrial/Aerospace Piezoelectric Accelerometer

80gm 2 pole connector, High Temperature version
10pC/g nom 400°C max



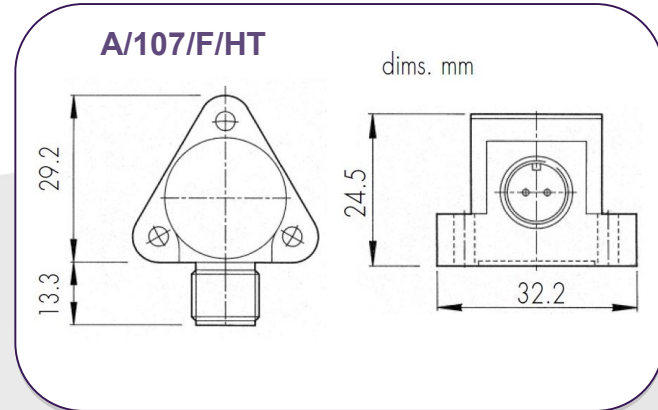
Industrial/Aerospace grade high temperature vibration transducers.

The A/107/FHT features a hermetic 2 pole connector providing a floating signal to minimize common mode interference. With a fully welded assembly the A/107/F/HT offers high temperature range in a lightweight and compact size body.

As with all PE accelerometers the ingress of contaminants into the connector can cause data degradation, in addition a low noise cable should be used to minimize the effects of triboelectric noise, DJB offer a unique 2 core low noise Softline cable for this application.

Transducers and cables can be supplied proof pressure tested to 80bar, individually and as assemblies.

In addition to the above features the A/107's also have fully welded internal electrical connections for a robust sensors with long life capability.



Options:

- Temperature calibration to 400°C
- Proof pressure testing to 80bar

	Metric	Imperial
Charge Sensitivity pC/g (nom.)	1.02 pC/(m/s ²)	10 pC/g
Capacitance	150 / 400pF	
Resonant Frequency	≥18kHz	
Typical Frequency Response ±5%	1Hz – 3kHz	
±10%	0.7Hz – 4kHz	
Cross Axis Error	≤ 5%	
Temperature Range	-50/ +400°C	-58/ +752°F
Charge Sensitivity Deviation re 20°C/68°F	-5% @ -50°C +15% @ +400°C	-5% @ -58°F +15% @ +752°F
Pyro-electric Output,	0.2 g/°C	
Pyro-electric corner frequency	0.002Hz	
Base strain sensitivity g/μ strain	≤0.01	
Max Shock	49,033m/s ²	5000g
Case material	Inconel 600	
Mounting	3 x 3.2mm holes, 25.4mm PCD	3 x 0.13in holes, 1inch PCD
Weight	80gm	2.82oz
Case seal	Welded, hermetic	
Size	29.2 x 29.2 x 24.5mm	1.15 x 1.15 x 0.96in
Connector	7/16" UNS 2 pole connector	

Please note: For information and reference only. Data should not be used as pass / fail criteria for calibration purposes

DJB Instruments (UK) Ltd
Finchley Avenue,
Mildenhall, Suffolk IP28 7BG

Tel +44 (0)1638 712 288
Email sales@djbinstruments.com
Web www.djbinstruments.com

DJB Iss.5 2020

