

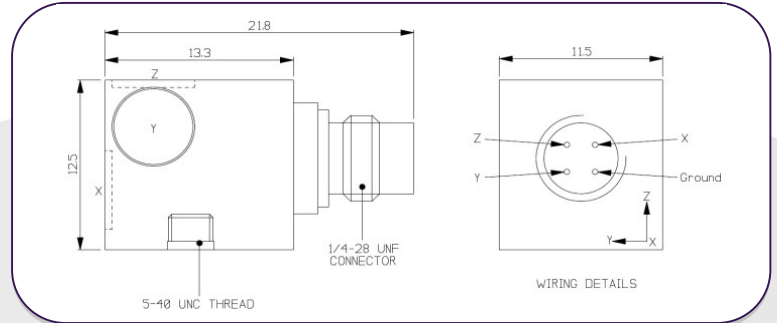
AT/01/TB Miniature Piezoelectric Triaxial Accelerometer

2pC/g nom. 8.3gm 200°C Max Temp.

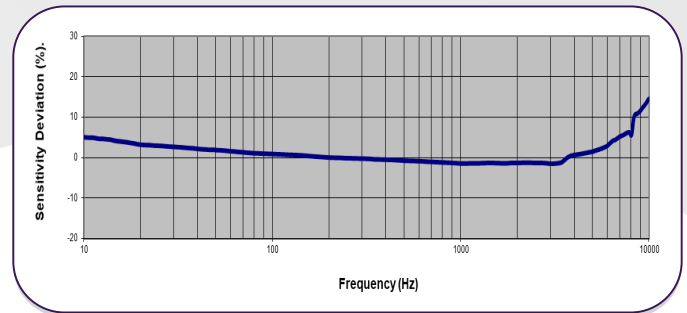


A lightweight miniature charge output triaxial vibration transducer with a single 4 pin connector, this is a unique design from DJB and comprises three charge output piezo-electric accelerometer elements mounted orthogonally within a titanium block. The use of the Konic Shear® independent sensing elements ensures a rugged and repeatable triaxial measurement under the most extreme conditions.

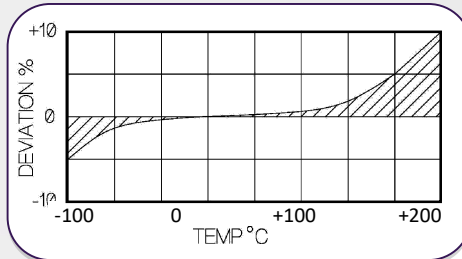
The AT/01/TB uses high temperature piezoceramics as standard to ensure thermal stability. Using the industry standard 1/4-28 UNF 4 pin connector for a single cable connection, the AT/01 must be used with DJB's unique low noise 4 core cable assemblies to reduce triboelectric noise effects. The AT/01/TB has a tapped base for stud mounting.



Typical Frequency Response



Temperature Response



Options

- AT/01 Adhesive Mount
- AT/01/F Flange mount
- AT/01/TB Tapped base

	Metric	Imperial
Charge sensitivity @ 20°C nom.	0.20pC/(m/s ²)	2pC/g
Resonant Frequency	≥58kHz	
Typical Frequency Response ±5% ±10%	1Hz – 7kHz 0.7Hz – 8kHz	
Cross Axis Error	≤5% max	
Temperature Range	-50/ +200°C	-58/ +392°F
Charge sensitivity deviation (20°C/68°F)	-5% @ -50°C +5% @ +200°C	-5% @ -58°F +5% @ +392°F
Base Strain Sensitivity	≤0.01g/μ strain	
Max Shock g pK, rise time μsec	98,100m/s ² , 30	10000g, 30
Case Material	Titanium	
Mounting	5-40 UNC x 2.6mm deep	5-40 UNC x 0.10in deep
Weight	8.3g	0.29oz
Case Seal	Welded	
Size	12.5 x 13.3 x 11.5mm	0.49 x 0.52 x 0.45in
Connector	1/4-28UNF 4 pin	

Please note: For information and reference only. Data should not be used as pass / fail criteria for calibration purposes

DJB Instruments (UK) Ltd

Finchley Avenue,
Mildenhall, Suffolk IP28 7BG

Tel +44 (0)1638 712 288
Email sales@djbinstruments.com
Web www.djbinstruments.com

DJB Iss.3.2020



ISO 9001 – 00025363

A UK company with UK-based manufacturing, assembly and calibration in-house.