

## A/81/F Industrial Piezoelectric Accelerometer

230pC/g nom. 260°C Max temp, 150gm



High output industrial grade accelerometer with integral hard-line cable, and available in two temperature ratings. Hermetic construction is proof against degradation under severe operating conditions including high pressure fluid immersion. /F version is suitable for milli g monitoring with appropriate instrumentation.

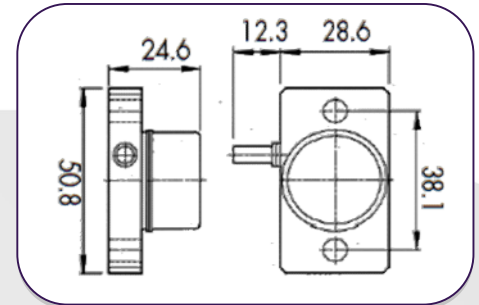
High temperature vibration measurement may be subject to increased noise level caused by insulation resistance drop and high level of pyro-electric charge generation, necessitating bandwidth limitation. Low level measurement threshold is determined by wide band noise, series and common mode electrical interference. These can be minimised by choice of instrumentation and transducer cabling. Construction comprises of electrically isolated Konic shear sensing element and all welded case and case/cable seal maximum measurement integrity and reliability. Proof pressure testing and elevated temperature burn is recommended where appropriate.

### Options

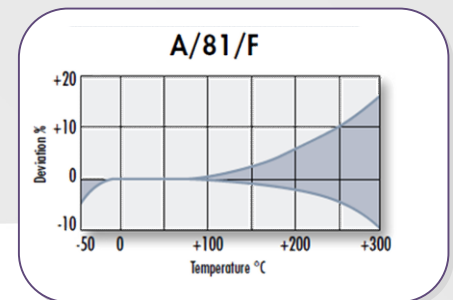
A/81/F, A/81/FHT

- Close tolerance output
- Temperature calibration to 400°C (/HT)
- Proof pressure testing to 100bar
- Cable length & terminating connector to be specified at point of order

### A/81/F



### Temperature Response



	Metric	Imperial
	A/81/F	A/81/F
Charge sensitivity nom.	23.45pC/(m/s <sup>2</sup> )	230pC/g
Capacitance pF	1400 / 2000	1400 / 2000
Resonant frequency kHz	10	10
Typical Frequency Response ±5% ±10%	1Hz – 3kHz 0.7Hz – 4kHz	
Cross axis error % max	5	5
Temperature range	-50 / +260°C	-58 / +500 °F
Charge sensitivity deviation re 20°C/68°F	-5% @-50°C / +15% @ +260°C	-5% @-58°F / +15% @ +500°F
Pyro-electric output, g/°C	0.1	0.1
Pyro-electric corner frequency Hz	0.001	0.001
Base strain sensitivity g/μ strain	≤0.01	≤0.01
Max shock	9,807m/s <sup>2</sup>	1000g
Case material	s/steel 303 S31	s/steel 303 S31
Mounting	2 x 6.4mm holes @ 38 ctrs	2 x 0.25in holes @ 38 ctrs
Weight (exc. Cable)	150gm	5.29oz
Case seal	Welded, hermetic	Welded, hermetic
Cable	Integral Hardline Cable	Integral Hardline Cable
Connector	7/16" UNS or HT Microdot	7/16" UNS or HT Microdot
Size	50.8 x 29.6 x 24.6mm	2 x 1.17 x 0.97in

Please note: For information and reference only. Data should not be used as pass / fail criteria for calibration purposes

### DJB Instruments (UK) Ltd

Finchley Avenue,  
Mildenhall, Suffolk IP28 7BG

Tel +44 (0)1638 712 288  
Email sales@djbinstruments.com  
Web www.djbinstruments.com

A UK company with UK-based manufacturing, assembly and calibration in-house.

DJB Iss.4.2020



ISO 9001 – 00025363