



A/36-1 Triaxial Piezoelectric Accelerometer

5pC/g nom

18gm

Max Temp 220°C

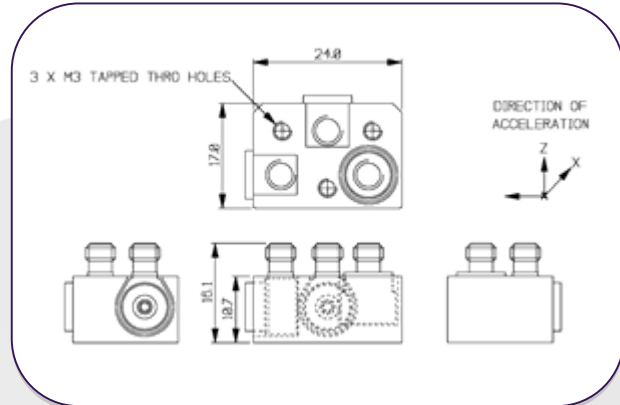
Triaxial vibration transducer comprising of three fully welded and independent Konic Shear® accelerometers bonded into a lightweight Titanium block. The use of the Konic shear® sensing elements ensure a rugged and repeatable triaxial measurement under the most extreme conditions.

All the Microdot connectors are exiting in the same direction. Each insert is electrically insulated, individually from the housing, thus eliminating ground loop interference.

To avoid the effects of triboelectric noise low noise cable must be used terminating to a 10/32 microdot connector.

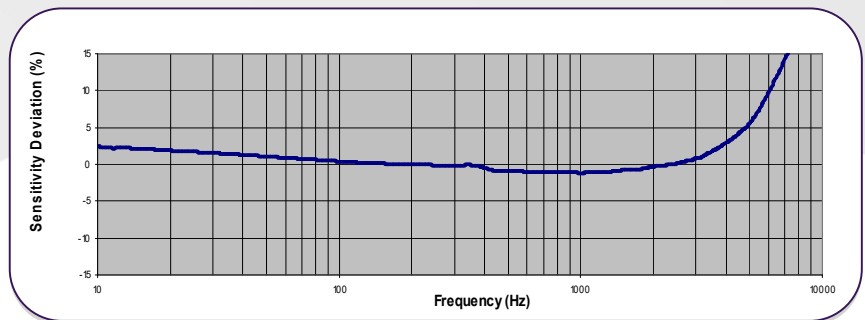
The A/36-1 can be mounted using the three M3 tapped holes or mounted using adhesive. The A/36-1 is widely used in the Automotive sector for engine tests.

A/36-1

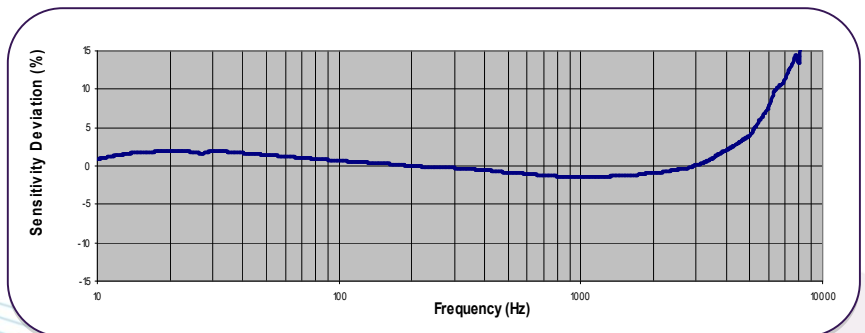


Typical Frequency Response

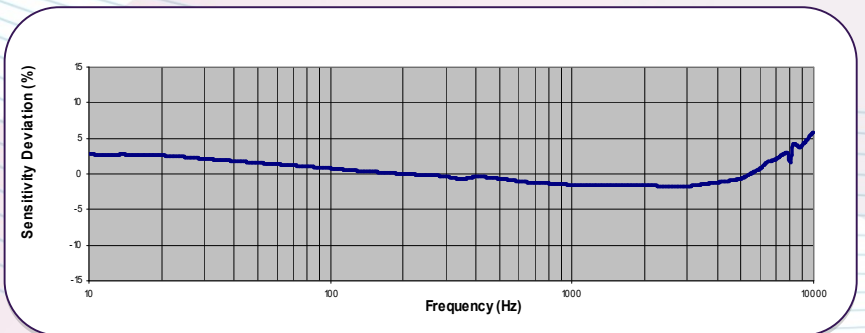
X



Y



Z



Please note: For information and reference only. Data should not be used as pass / fail criteria for calibration purposes

DJB Instruments (UK) Ltd

Finchley Avenue,
Mildenhall, Suffolk IP28 7BG

Tel +44 (0)1638 712 288
Email sales@djbinstruments.com
Web www.djbinstruments.com

DJB Iss.2.2020

A UK company with UK-based manufacturing, assembly and calibration in-house.



ISO 9001 – 00025363

A/36-1 Triaxial Piezoelectric Accelerometer

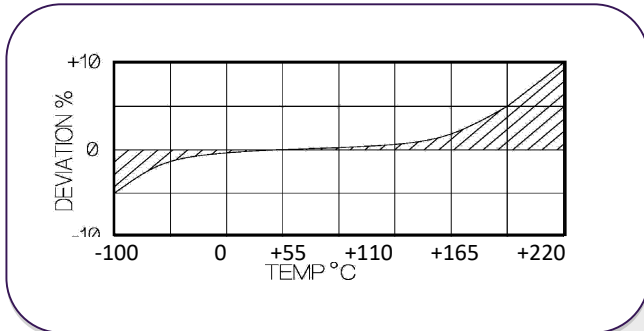
5pC/g nom

18gm

Max Temp 220°C



Temperature Response



Options:
 A/36 – Clip Mount
 A/36-1 – 3 x M3 tapped hole mount

	Metric	Imperial
Charge Sensitivity nom. @20°C	0.51pC/(m/s ²)	5pC/g
Resonant Frequency	Z Axis 21 kHz	X/Y Axis 15 kHz
Typical Frequency Response	±5% ±10%	1Hz – 4kHz 0.7Hz – 5kHz
Cross Axis Error		≥5%
Capacitance nom.		750 pF
Temperature Range	-50/ +220°C	-58/ +428°F
Base Strain Sensitivity		≤0.001g/μ strain
Max Shock g pK., rise time μ sec	49033m/s ² , 30	5000g, 30
Case Material		Titanium
Mounting		3x M3 Tapped Holes
Weight	18gm	0.63oz
Case Seal		Welded
Size	24 x 17 x 10.7mm	0.94 x 0.67 x 0.42in
Connector		3 x 10/32 UNF Microdot Connector

Please note: For information and reference only. Data should not be used as pass / fail criteria for calibration purposes

DJB Instruments (UK) Ltd

Finchley Avenue,
 Mildenhall, Suffolk IP28 7BG

Tel +44 (0)1638 712 288
 Email sales@djbinstruments.com
 Web www.djbinstruments.com

DJB Iss.2.2020

A UK company with UK-based manufacturing, assembly and calibration in-house.

