

A/33 High Temperature, Water-cooled Triaxial Piezoelectric Accelerometer

7pC/g nom. 38gm
900°C Max surface temp with water flow



The A/33 charge output range of piezoelectric triaxial accelerometers feature ultra-high temperature usage on surfaces up to 900°C. Developed as solutions for Vibration Measurements on exhaust pipes or engine turbo collectors, they have since found uses in many other high temperature test applications.

Mono-axial versions can also be supplied on request, axis selection to suit customer application.

Water flow is via two titanium pipes and it's recommended that the flow rate of 0.5 litre/min is maintained permanently when in use at high temperature. Failure to do so could lead to injury and damage to the unit.

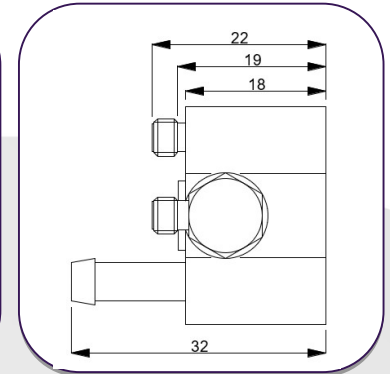
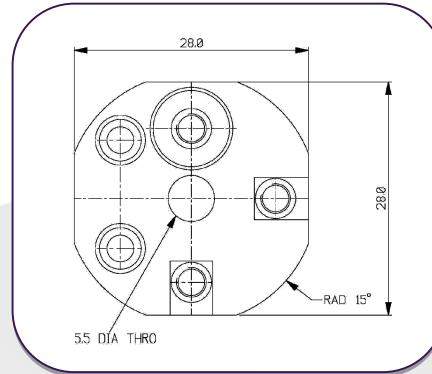
It is recommended at the highest temperatures a constant supply of chilled cooling water should be used.

The A/33 consists of 3 mono axial charge accelerometers mounted into an anodized aluminium block. This allows the advantage of single axis repair if required. The A/33 has a flat base for direct mounting to a product with a flat interface.

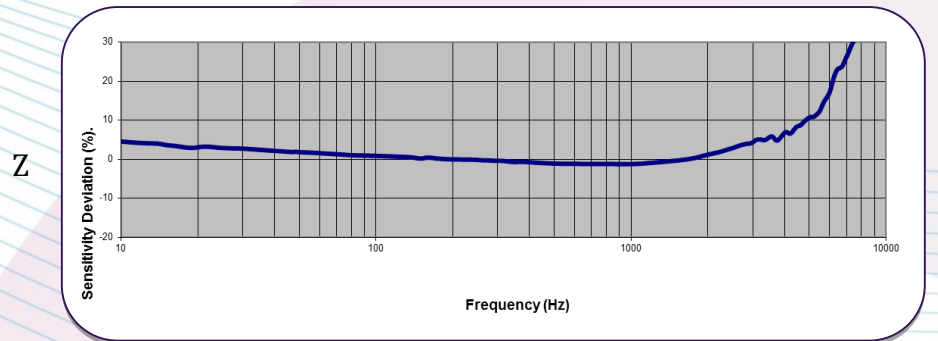
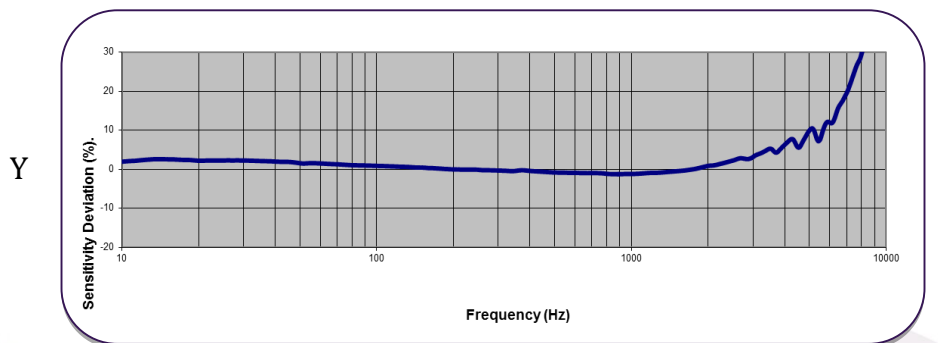
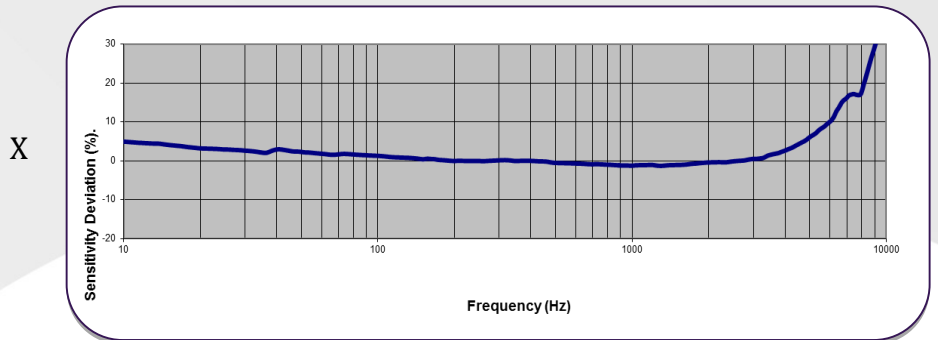
If using multiple A/33 units on one test it is also recommended that each unit is operated with its own cooling pump, do not use one pump for multiple A/33.

Accessories:
Silicone tubing
General purpose 12V pump

A/33



Typical Frequency Response



Please note: For information and reference only. Data should not be used as pass / fail criteria for calibration purposes

DJB Instruments (UK) Ltd
Finchley Avenue,
Mildenhall, Suffolk IP28 7BG

Tel +44 (0)1638 712 288
Email sales@djbinstruments.com
Web www.djbinstruments.com

DJB Iss.3 2020

A UK company with UK-based manufacturing, assembly and calibration in-house.



ISO 9001 – 00025363



A/33 High Temperature, Water-cooled Triaxial Piezoelectric Accelerometer

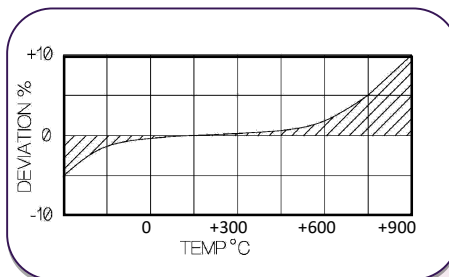
7pC/g nom. 38gm
900°C Max surface temp with water flow

	Metric	Imperial
Charge sensitivity nom. @20°C	0.71pC/(m/s ²)	7pC/g
Resonant Frequency	≥15kHz	
Typical Frequency Response ±5% ±10%	1Hz – 3kHz 0.7Hz – 4kHz	
Cross Axis error	≤5 % max	
Temperature Range Without water flow With water flow of 0.5 ltr/min	-50/ +220°C +900°C (surface temp)	
Maximum shock level	9806m/s ²	1000g
Mounting	1 x 5.5mm Ø through hole	1 x 5.5mm Ø through hole
Weight	38gm	1.34oz
Case Material	Fully welded Titanium transducer inserts, bonded into hard anodised aluminium alloy block	
Size	28mm x 28mm x 31.7mm	1.102in x 1.102in x 1.248in
Connector	3 x top entry 10-32 UNF Microdot	
Base Strain Sensitivity	≤ 0.01g/μ strain	

Options

A/33 – Flat base
A/33-1 – Raised base for customer modification to fit curved or odd shape mounting surfaces.

Temperature Response With water flow



Please note: For information and reference only. Data should not be used as pass / fail criteria for calibration purposes

DJB Instruments (UK) Ltd
Finchley Avenue,
Mildenhall, Suffolk IP28 7BG

Tel +44 (0)1638 712 288
Email sales@djbinstruments.com
Web www.djbinstruments.com

A UK company with UK-based manufacturing, assembly and calibration in-house.

DJB Iss.3 2020



ISO 9001 – 00025363