

A/1800/VTC Micro g Piezoelectric IEPE Accelerometer

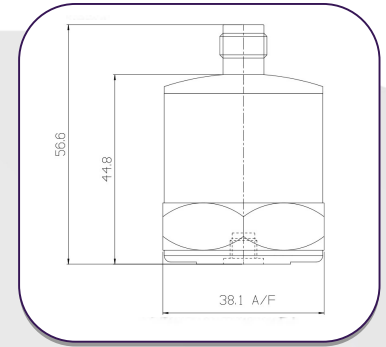
10V/g ±10%

429gm

Std temp 125 °C



A/1800/VTC



The A/1800/VTC IEPE accelerometer is a high voltage output, multiple shear plate IEPE vibration transducer intended for micro g level measurement – virtual immunity to strain input side effects provides guarantee of low frequency, measurement integrity. Well suited to seismic applications and building surveys where low level vibration needs to be measured and analysed.

The high output of 10V/g limits the range to just 0.5g though other sensitivities can be provided. The TNC connector offers a robust connection for more industrial environments

Compatible with a wide range of DAQ systems providing IEPE power the A/1800/V can also be used with DJB's own range of IEPE signal conditioners, CV9 and VB range.

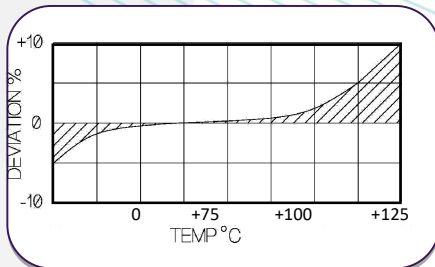
Typical Spectral Noise: 10V/g

1Hz	5µg/√Hz
10Hz	4.8µg/√Hz
100Hz	250ng/√Hz
1kHz	61ng/√Hz

Options:

- Other sensitivities available
- A/1800V – Side entry
- A/1800/VT – Top entry
- A/1800/VTC – Top entry

Temperature Response



	Metric	Imperial
Voltage sensitivity ±10%	1.02 V/(m/s ²)	10V/g
Resonant frequency	≥4 kHz	
Typical Frequency Response ±5%	0.3Hz – 1kHz	
±10%	0.2Hz – 1.5kHz	
Cross axis error	≤5%	
Temperature range	-50°C / +125°C	-58°F / +257°F
Voltage sensitivity deviation (20°C/68°F)	5% @ -50°C +5% @ +125°C	5% @ -58°F +5% @ +257°F
Broadband resolution (grms)	0.0005	
Supply Voltage	15/ 35 V DC	
Supply Current	2/ 20 mA	
Bias Voltage (20°C)	10-14VDC	
Measurement Range	4.9m/s ²	0.5g
Shock level	4903m/s ²	500g
Case Material	Stainless steel 303 S31	
Mounting	Base tapped ¼-28 UNF x 4mm deep	Base tapped ¼-28 UNF x 0.16in deep
Weight	429gm	15.1oz
Case Seal	Welded	
Size	38.1 (A/F) x 56.6mm	1.5 (A/F) x 2.23in
Connector	Hermetically sealed TNC top entry	
Base Strain Sensitivity	0.0001g/µ strain	

Please note: For information and reference only. Data should not be used as pass / fail criteria for calibration purposes

DJB Instruments (UK) Ltd

Finchley Avenue,
Mildenhall, Suffolk IP28 7BG

A UK company with UK-based manufacturing, assembly and calibration in-house.

Tel +44 (0)1638 712 288
Email sales@djbstruments.com
Web www.djbstruments.com

DJB Iss.3 2020



ISO 9001 – 00025363