



A/1600/V Micro g Piezoelectric IEPE Accelerometer

1V/g up to 5V/g $\pm 10\%$ 114.5gm Std temp 125°C

Ultra high output, multiple shear plate voltage accelerometer. Shear plate construction provides near total isolation from mechanical inputs other than acceleration, thus safeguarding measurement integrity in applications where vibration is accompanied by high dynamic strain levels.

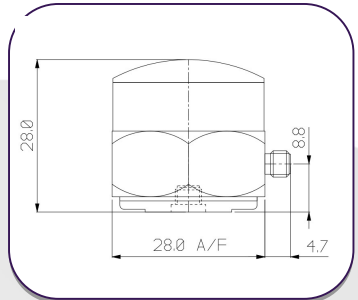
Generalizing, these conditions are prevalent where modal frequencies are low, and are thus associated with vibration surveys of large structures.

Applications also include seismic measurements for sensitive instruments installation surveys.

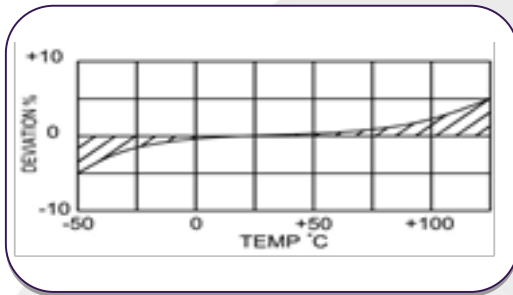
Typical Spectral Noise 1V/g

1Hz	87.4 $\mu\text{g}/\sqrt{\text{Hz}}$
10Hz	9.2 $\mu\text{g}/\sqrt{\text{Hz}}$
100Hz	1.9 $\mu\text{g}/\sqrt{\text{Hz}}$
1kHz	0.65 $\mu\text{g}/\sqrt{\text{Hz}}$
10kHz	0.48 $\mu\text{g}/\sqrt{\text{Hz}}$

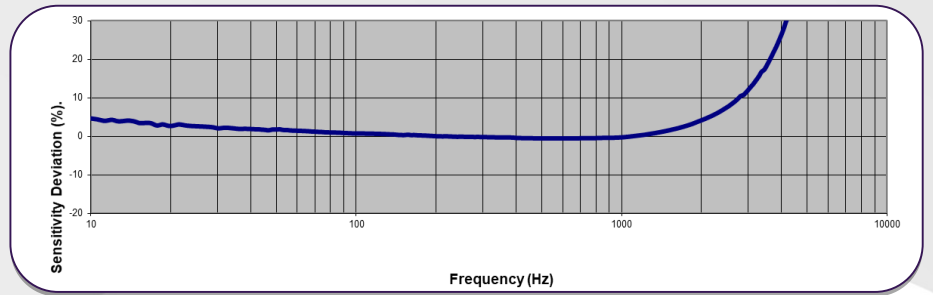
A/1600/V



Temperature Response



Typical Frequency Response



	Metric		Imperial	
Voltage sensitivity $\pm 10\%$	0.1V/(m/s ²)	0.51V/(m/s ²)	1V/g	5V/g
Resonant frequency	8 kHz			
Typical Frequency Response $\pm 5\%$ $\pm 10\%$	0.5Hz – 2kHz 0.3Hz – 3kHz	1Hz – 2kHz 0.7Hz – 3kHz	0.5Hz – 2kHz 0.3Hz – 3kHz	1Hz – 2kHz 0.7Hz – 3kHz
Temperature range	-50/+125°C		-58/+257°F	
Voltage Sensitivity Deviation (20°C/68°F)	-5% @ -50°C +5% @ +125°C		-5% @ -58°F +5% @ +257°F	
Supply Voltage	15/ 35 V DC			
Supply Current	2/ 20 mA			
Bias Voltage (20°C)	10/14 VDC			
Case Material	Stainless steel 303 S31			
Shock level	6864m/s ²		700g	
Broadband resolution grms	0.0003			
Mounting	Base tapped 10/32 UNF x 4mm deep		Base tapped 10/32 UNF x 0.16in deep	
Weight	114.5gm		4.03oz	
Case Seal	Welded			
Size	28 (A/F) x 32.7mm		1.10 (A/F) x 1.28in	
Connector	10-32 UNF Microdot side entry			
Base Strain Sensitivity	0.0001g/ μ strain			

Please note: For information and reference only. Data should not be used as pass / fail criteria for calibration purposes

DJB Instruments (UK) Ltd

Finchley Avenue,
Mildenhall, Suffolk IP28 7BG

Tel +44 (0)1638 712 288
Email sales@djbinstruments.com
Web www.djbinstruments.com

A UK company with UK-based manufacturing, assembly and calibration in-house.

DJB Iss.4 2020



ISO 9001 – 00025363